

Wilcox's L2 G04 and G06 Ratchet Strap Bracket NVG Mounting Systems



Stowed



Deployed with Dovetail NVG Interface Shoe

**New Lifetime
Warranty**

The L2 G04 Ratchet Strap Bracket with Integrated Breakaway Base and Universal NVG Mount

The Wilcox L2 Ratchet Strap Bracket with Integrated Breakaway Base allows attachment to a variety of ballistic and non-ballistic helmet models, to include PRO-TEC full and half shell. The Front Hook Bracket and Rear Hook with patented Ratchet Cinch Mechanism firmly secures the two together with a non-stretch strap. This NVG Mounting System is unique in that it provides two modes of operation. The first mode allows the Mount to "break away" from the base under a stressed condition, such as when prompted by interference during fast roping, maritime operations, hard impact or when entering or exiting mobility platforms. Without the Wilcox breakaway feature, the potential to induce neck injury is increased. The second mode allows the *Universal NVG Mount* to securely lock the mount to the base.

Features:

- Breakaway Feature allows Mount to Break Away under Stress, or to Securely Lock in Place by Means of a Breakaway Switch
- Can be Used with the Wilcox NVG Lanyard (see TDS078) for Secure Attachment to an Array of NVG Devices Preventing Loss of the NVG and Breakaway of the Wilcox Universal NVG Mount from the Helmet Mount Base
- Each Mechanical Adjustment is Durable and Ergonomically Positioned for Easy One-Handed Operation While Handling a Weapon
- Maintains a Very Low Profile Stance on the Helmet
- Flat Matte Finish for Covertness in Combat Conditions
- Thousands of Mounts of this Type Fielded to Date
- Combat Proven by the US Special Operations Community and Domestic Law Enforcement Personnel
- Breakaway Universal NVG Mount Interfaces with the Entire L2 Series of NVG Mounting Systems to Include the NVG Three Hole MICH Helmet Bracket and NVG Skull/Head Mounting Systems
- Design Approach Cuts Down on Logistics and Overall System Cost

Specifications:

Weight (L2 G04/G06 Ratchet Strap Bracket with Integrated Breakaway Base and Universal NVG Mount)	5.23 oz (0.16 kg)
Material Construction	Light Weight, Aerospace Grade Metal
Accommodates NVG Suite	AN/PVS-7A, 7C, 15 or 18
Vertical Height Adjustment	.900" Total Travel
Viewing to Stowed Position	117° of Travel
Finite Tilt Adjustment	0° to 20° Tilt
Fore/Aft Travel	1.100" Total Travel
Auto On-Off Feature	Applicable with Wilcox AN/PVS Metal Interface Shoes

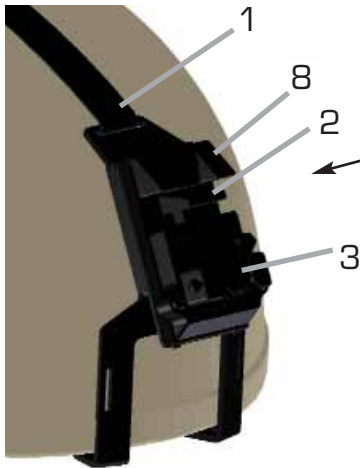
WILCOX[®]

MODULAR BY DESIGN

Wilcox Industries Corp.
25 Piscataqua Drive
Newington, NH 03801

VOICE 603-431-1331
FAX 603-431-1221
E-MAIL marketing@wilcoxind.com
WEB www.wilcoxind.com

Wilcox's L2 G04 and G06 Ratchet Strap Bracket NVG Mounting Systems



L2 Series
Ratchet Strap Bracket with
Integrated Breakaway Base



Universal NVG Mount



Ratchet Strap Tension/Size Adjuster
(Rear View)

**New Lifetime
 Warranty**

The Wilcox NVG Mounting Systems Product Line is featured with a wide range of adjustments to customize the position of the Night Vision Goggle for proper eye position and relief.

L2 G04 and G06 Ratchet Strap Bracket Components (See Above):

- 1) The Ratchet Strap is secured to the MICH Helmet by a Front Hook and Rear Hook Ratchet Cinch Mechanism.
- 2) A unique Vertical Height Adjustment Button easily facilitates positioning NVG height up or down with a simple push of the button. No longer is it necessary to manually rotate a thumb screw to perform this function.
- 3) The Breakaway Switch allows the operator to easily set which mode (breakaway or locked) is desirable, depending upon operating conditions.

L2 Series NVG Interface Mount Components (See Above):

- 4) An ergonomically placed Flip Button allows the Mount to "flip up" to a very low profile when stowed. This pivot mechanism is simple and robust by design and will not loosen over time.
- 5) A sleek, low profile Tilt Adjustment Knob allows for finite tilt adjustment of the NVG by the operator, then lock the position in place with a simple turn of the knob.
- 6) Two coinciding Fore/Aft Travel Release Buttons provide Fore/Aft NVG travel.
- 7) An ergonomically placed NVG Release Button allows for one handed release of the NVG.
- 8) A NVG Mount Alignment Guide assists the operator in directing the *Universal NVG Mount* into place while wearing the MICH Helmet.
- 9) A Magnet Switch is featured to facilitate the "Automatic Function" of the NVG.

Order Numbers:

- 28300604** L2 G04 Ratchet Strap Bracket with Integrated Breakaway Base and Universal NVG Mount for the MICH/NBH Helmet
- 28300604B** L2 G04 Ratchet Strap Bracket with Integrated Breakaway Base for the MICH/NBH Helmet
- 28300606** L2 G06 Ratchet Strap Bracket with Integrated Breakaway Base and Universal NVG Mount for the PASGT/RBR Helmet
- 28300606B** L2 G06 Ratchet Strap Bracket with Integrated Breakaway Base for the PASGT/RBR Helmet
- 28300601** Universal NVG Mount Only

COLOR SAMPLES **(AVAILABLE AS NOTED)**



Black

Tan



MODULAR BY DESIGN

Wilcox Industries Corp.
 25 Piscataqua Drive
 Newington, NH 03801

VOICE 603-431-1331
 FAX 603-431-1221
 E-MAIL marketing@wilcoxind.com
 WEB www.wilcoxind.com

This brochure does not constitute an offer or commitment to sell. © 2004-2010 Wilcox Industries Corp. Other aspects of the *L2 Series of the NVG Mounting System* are Patent Pending. WILCOX® is a registered trademark of Wilcox Industries Corp. *Modular by Design™* is a trademark of Wilcox Industries Corp. All rights reserved. Printed in USA. Contact Wilcox for Warranty Statement.

Export of this product is regulated by the US Department of State in accordance with guidelines of "International Traffic Arms Regulation (ITAR)" per Title 22, Code of Federal Regulations, Parts 121-128.