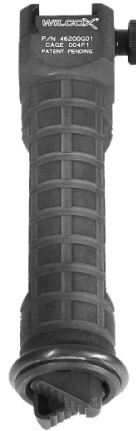


## Wilcox's Line of Weapon Grips



**The Wilcox Para Grip  
with Bipod  
(P/N 46200G02)**



**The Wilcox Steady Grip  
(Shown with Bipod)  
(P/N 46200G01)**



**The Wilcox Universal Control Grip with  
Bipod, shown Extended and Collapsed  
(P/N 41900G01)**

The Wilcox *Line of Weapon Grips* feature a patented mounting interface which allows for quick attachment to the MIL-STD-1913 rail. This line features non-powered grips; one with a steady mount, and one with a collapsible mount that stows below the weapon rail. A Universal Control Grip provides unsurpassed control of a variety of weapon mounted lasers and tactical flashlights by eliminating the need for a strip switch to control the illumination device and laser attached to the weapon. All grips are available with and without an integrated bipod.

### **Features (Para and Steady Grips):**

- Ergonomically Correct Grip is Ribbed Vertically and Horizontally to Prevent Slippage During Weapons Fire
- Optional Removable Bipod Extends with the Push of a Button and Easily Collapses to a Stowed Position
- Optional Removable Battery Stowage Compartment Easily Threads on in Place of the Removable Bipod, Providing Stowage for Two (2) 123A Batteries
- Flats Located Left and Right of the Grip Allow Attachment of Remote Connector Cables (Sold Separately) for Controlling a Variety of Lasers and Tactical Flashlights

### **Added Features of the Universal Control Grip:**

- New Integrated Electronic Design Eliminates Strip Switches that Interfere with Operation for which the Vertical Grip is Intended
- Simple Pre-Select for Flashlight, Laser, or Flashlight and Laser
- Provides Momentary or Constant Activation
- Ergonomically Positioned Activation Buttons Located on Left or Right Side Allow for Control of the Flashlight and Laser without Losing Grip during Operation

### **Specifications:**

Weight (without Batteries):

41900G01	0.44 lb (7.04 oz)
41900G04	0.34 lb (5.44 oz)
46200G01	0.42 lb (6.72 oz)
46200G04	0.32 lb (5.12 oz)
46200G02	0.63 lb (10.14 oz)
46200G03	0.42 lb (6.72 oz)

Dimensions (Collapsed):

41900G01	5.1" L x 1.9" W x 1.5" D
41900G04	5.0" L x 1.9" W x 1.5" D
46200G01	6.0" L x 1.6" W x 1.5" D
46200G04	5.6" L x 1.6" W x 1.5" D
46200G02	6.6" L x 1.6" W x 2.4" D
46200G03	6.2" L x 1.6" W x 2.4" D

# WILCOX®

MODULAR BY DESIGN

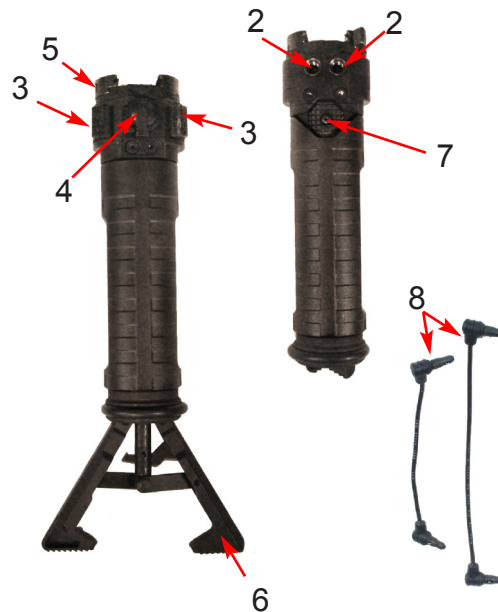
Wilcox Industries Corp.  
25 Piscataqua Drive  
Newington, NH 03801

VOICE 603-431-1331  
FAX 603-431-1221  
E-MAIL [marketing@wilcoxind.com](mailto:marketing@wilcoxind.com)  
WEB [www.wilcoxind.com](http://www.wilcoxind.com)

**Wilcox Grip Components:**

The Wilcox Line of Weapon Grips features a combination of the following components, based upon model selected:

- 1) A Remote Connector Cable interfaces with an attached Laser, Wilcox Multi-Function Tail Cap Switch (for interfacing with the SureFire line of flashlights, or the Wilcox *Power Grip MAD™* (Cable Sold Separately).
- 2) A Wire Connector Interface allows the attachment of up to two devices by means of a Remote Connector (Sold Separately).
- 3) Left and Right Activation Switches provide control of laser (left) and flashlight (right). Provides momentary operation with single tap and constant on with double tap.
- 4) A Center Selection Switch allows the Grip to be powered On or Off.
- 5) A Robust Cam Lock Mechanism provides an easy lock-on attachment to the bottom MIL-STD-1913 rail.
- 6) Retractable legs pivot to ease rotation of the weapon when used in a prone position.
- 7) A Lock Release Button provides spring action release of retracted optional bipod legs.
- 8) The Universal Control Grip (PN 41900G01) ships with Two Remote Cables.



**Wilcox Universal Control Grip**

**Optional Universal Battery  
 Storage Interface Mounted  
 to the Wilcox Steady Grip  
 (Batteries Sold Separately)**



**Multi-Functional Tail Cap Switch for SureFire Scout  
 Light WeaponLight Systems  
 (Depicted with the Wilcox Universal Control Grip)**

**Order Numbers:**

- |          |  |
|----------|--|
| 41900G01 | Universal Control Grip with Bipod                                |
| 41900G04 | Universal Control Grip without Bipod with Battery Holder and Cap |
| 46200G01 | Steady Grip with Bipod   |
| 46200G04 | Steady Grip without Bipod with Battery Holder and Cap            |
| 46200G02 | Para Grip with Bipod   |
| 46200G03 | Para Grip without Bipod with Battery Holder and Cap              |

**Accessories:**

- |          |  |
|----------|--|
| 44700G01 | Multi-Function Tail Cap Switch for SureFire Scout Light WeaponLight Systems  |
| 44700G02 | Multi-Function Tail Cap Switch for the SureFire Millennium Universal, Classic, and Vertical ForeGrip WeaponLight Systems |
| 46203P02 | Universal Battery Storage Interface for Wilcox Grips   |
| 46203P01 | End Cap for Battery Storage Interface  |



**MODULAR BY DESIGN**

Wilcox Industries Corp.  
 25 Piscataqua Drive  
 Newington, NH 03801

VOICE 603-431-1331  
 FAX 603-431-1221  
 E-MAIL marketing@wilcoxind.com  
 WEB www.wilcoxind.com

This brochure does not constitute an offer or commitment to sell. © 2007-2010 Wilcox Industries Corp. Other aspects of the Wilcox Line of Weapon Grips are Patent Pending. WILCOX® is a registered trademark of Wilcox Industries Corp. SureFire® is a registered trademark of Surefire, LLC. Universal Control Grip™, Steady Grip™, Para Grip™, and Modular by Design™ are trademarks of Wilcox Industries Corp. All rights reserved. Printed in USA. Contact Wilcox for Warranty Statement.

Export of this product is regulated by the US Department of State in accordance with guidelines of "International Traffic Arms Regulation (ITAR)" per Title 22, Code of Federal Regulations, Parts 121-128.