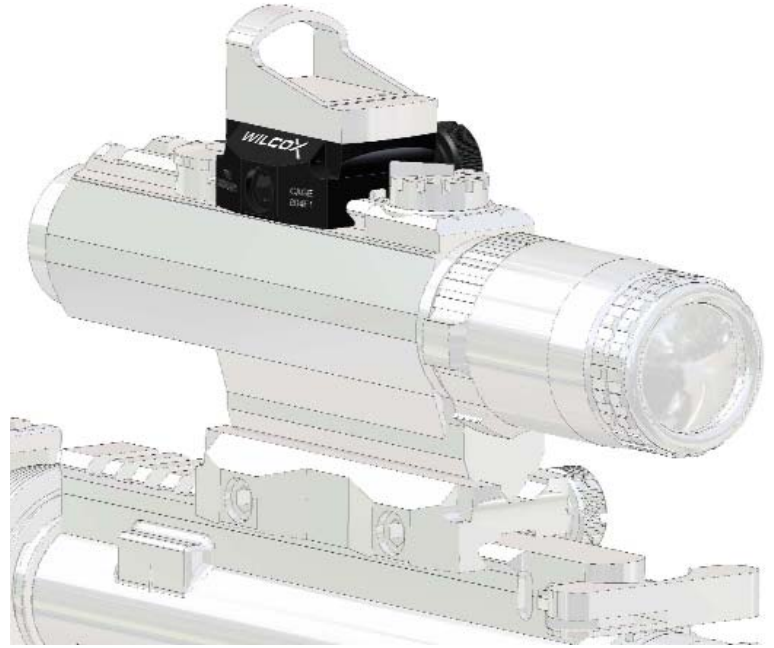


SALES SHEET
Document # TDS108
Effective Date: 09/01/04

Wilcox's Micro Reflex Sight Mount for the Mark 4 CQ/T Scope

BACKGROUND

Current military operations are routinely conducted in urban or close quarter environments. These type of operations and environments require the operator to be able to quickly and accurately acquire targets at a wide variety of distances. Currently, personnel are being outfitted with long or medium range rifle scopes for distance shooting and Micro-Reflex Sights for urban close quarter operations. Typically, weapon real estate consumed by the rifle scope prevents the attachment of any type of reflex sight on the same weapon without interfering with the optical path of the scope. Recently developed and fielded mounting platforms now allow for simultaneous installation and use of the rifle scope and Micro-Reflex Sight.



The Micro Reflex Sight Mount Affixed to the Micro Reflex Sight and Mark 4 CQ/T Scope, Mounted to the M4-A1

FEATURES

Wilcox is an industry leader in the design, manufacture and test of Weapon Optic Mounts. To meet your need as an operator, Wilcox has developed two Micro Reflex Sight Mounts to allow attachment of a Reflex Sight without interfering with the operation of the scope it is attached to.

This Micro Reflex Sight Mount is simple to attach to any scope furnished with a Picatinny Rail. It is designed to position the Reflex Sight in a manner that prevents obstruction by the windage adjustment knob of the rifle scope. This all metal mount is manufactured of light weight, aerospace grade materials coated with a flat matte black finish to enhance durability and covertness in all combat conditions. It is simple to attach and remains boresighted to the weapon under heavy gun fire. Thousands of these mounts have been produced by Wilcox and widely fielded by the US Special Forces community. Extensive use in the field has proven this Mount to be the product of choice, earning it the reputation of "Combat Proven".

ORDER NUMBERS:

- 25000601** J-Point Mount (Leupold Mark 4 CQ/T)
39500601 Docter Mount (Leupold Mark 4 CQ/T)

To obtain pricing information on this product, contact the Wilcox Industries Corp. Marketing Department.

WILCOX[®]
MODULAR BY DESIGN

Wilcox Industries Corp.
25 Piscataqua Drive
Newington, NH 03801

VOICE 603-431-1331
FAX 603-431-1221
E-MAIL marketing@wilcoxind.com
WEB www.wilcoxind.com