

Wilcox's Parachutist Navigation Board (Standard Version)

BACKGROUND

High Altitude High Opening (HAHO) parachute operations require the use of navigational tools to assist the parachutist with navigating from the predetermined "Opening Point" to the "Point of Impact". Typically, these navigational tools consist of a fixed mounting platform equipped with a compass only. These fixed non-articulation platforms protruded from the parachutist and could cause injury during rough openings and landings.

FEATURES

Wilcox is an industry leader in the design, test, manufacture and fielding of equipment to meet the demanding needs of the U. S. military and Special Operations community. To meet the needs of the HAHO Parachutist, Wilcox has developed the *Parachutist Navigation Board (Standard Version)*. This lightweight articulating platform provides the HAHO parachutist the ability to navigate via a backlit Ball Compass and/or a handheld GPS unit.

The Wilcox *Parachutist Navigation Board (Standard Version)* features an adjustable, multi-angled articulating back plate and hinge system that allows the parachutist to deploy the Navigation Board once safely under parachute canopy. The back plate is designed to allow the unit to be worn with a Rhodesian Vest or secured with the waist band of the parachute harness. The unit also features a ball compass that is back lit for covert night operations as well as a bracket housing that secures a handheld GPS unit.

THIS SYSTEM

The Wilcox *Parachutist Navigation Board (Standard Version)* can be worn by the parachutist either via a Rhodesian Vest or attached to the waist band of the parachute harness. Once safely under parachute canopy, the *Parachutist Navigation Board* is easily deployed by unscrewing the articulating hinge locking pin and rotating the navigation board to the desired angle. Once in the desired location, the articulating hinge locking pin is tightened to secure the desired position. For covert night time operations, the red LED integrated into the Ball Compass can be illuminated.



**The Parachutist Navigation Board
(Standard Version Shown)**

WILCOX[®]
MODULAR BY DESIGN

Wilcox Industries Corp.
25 Piscataqua Drive
Newington, NH 03801

VOICE 603-431-1331
FAX 603-431-1221
E-MAIL marketing@wilcoxind.com
WEB www.wilcoxind.com

SPECIFICATIONS

Distinct Features of the *Parachutist Navigation Board (Standard Version)* are as follows:

- 1) Features a multi-adjustable, articulating front plate for mounting the Board to the operator by means of a variety of harnesses. A velcro adhesive assists in securing the front plate to the harness.
- 2) An adjustable GPS Storage Housing is capable of accommodating handheld GPS units up to 3.25" W x 6.25" H.
- 3) A Ball Compass features a white face and bold black lettering for ease of viewing during night operations. The Ball Compass features a red LED back light that can be operated at high or low power and can accommodate a Backup Chem Light.
- 4) A MA-230 housing adapter provides a means for storing and using a back-up mini Chem Light for the Ball Compass in an emergency situation.
- 5) A three position Power Switch provides three modes of operation: Low, Off, and High.
- 6) The Battery Compartment houses a 123 3-Volt Lithium Battery.
- 7) A mounting interface provides a means for mounting a digital altimeter (sold separately).
- 8) All components can be easily manipulated with gloved hands.

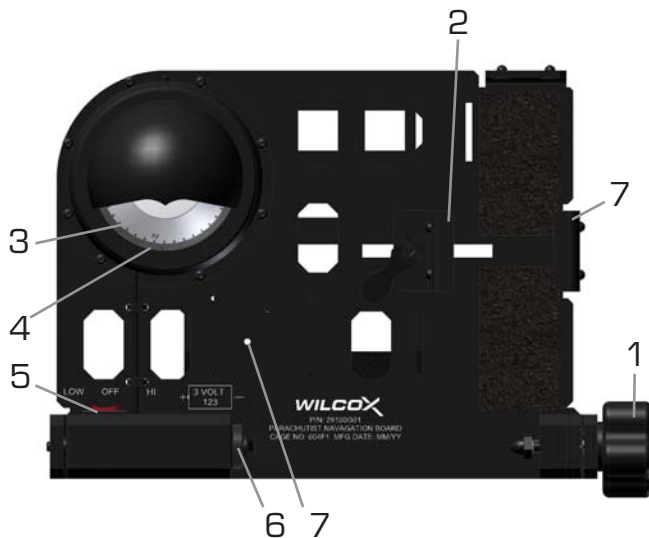


Parachutist Navigation Board (Standard Version) Depicting Front Plate Articulation

ORDER NUMBER:

- 29100601** Parachutist Navigation Board (Standard Version)
- 29105601** Parachutist Navigation Board (Standard Version) with Neptune Digital Altimeter Interface Bracket

To obtain pricing information on this product, contact the Wilcox Industries Corp. Marketing Department.



WILCOX®

MODULAR BY DESIGN

Wilcox Industries Corp.
25 Piscataqua Drive
Newington, NH 03801

VOICE 603-431-1331
FAX 603-431-1221
E-MAIL marketing@wilcoxind.com
WEB www.wilcoxind.com